

► Features

- Illuminated LED integrated
- Through-in and surface mount mount
- 500,000 long-life cycles
- Various single and bi-color LED optional
- Custom legends is available



► Applications

Panel control that requires tactile switch with illumination integrated.

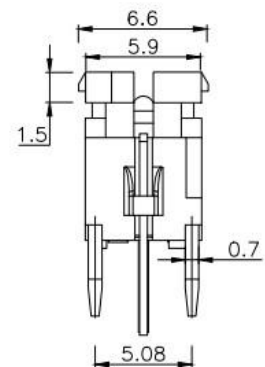
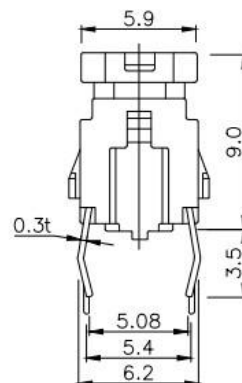
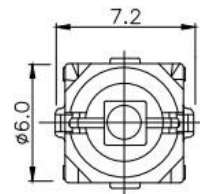
Typical for applications in pro audio&video, industrial, medical, security device, communication

► Specification

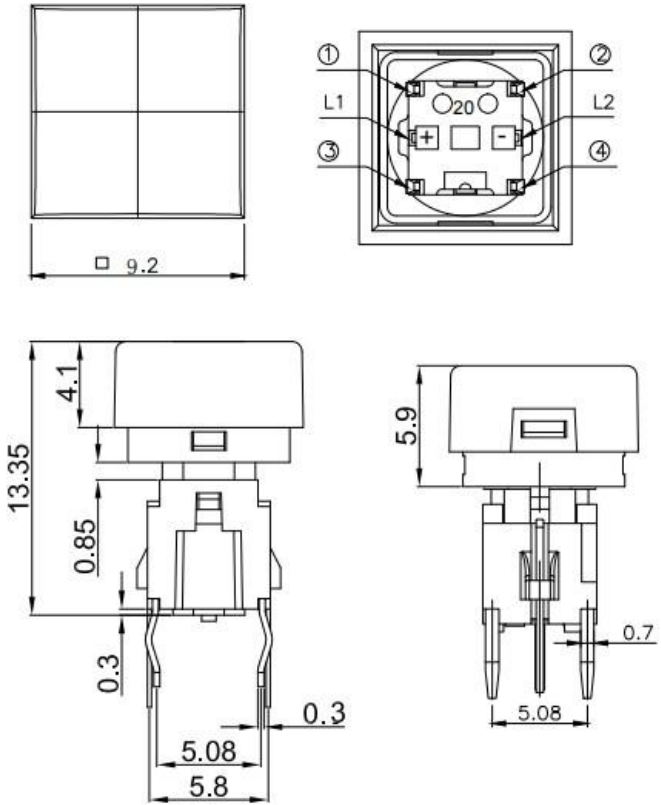
MPN	TS10 series
Power Rating	12 VDC at 50mA
Insulation Resistance	100MΩ
Dielectrical Strength	250VAC for 1-minute
Operating Force	160gf/250gf
Travel	0.25+/-0.1mm
Function	Momentary

► Dimension

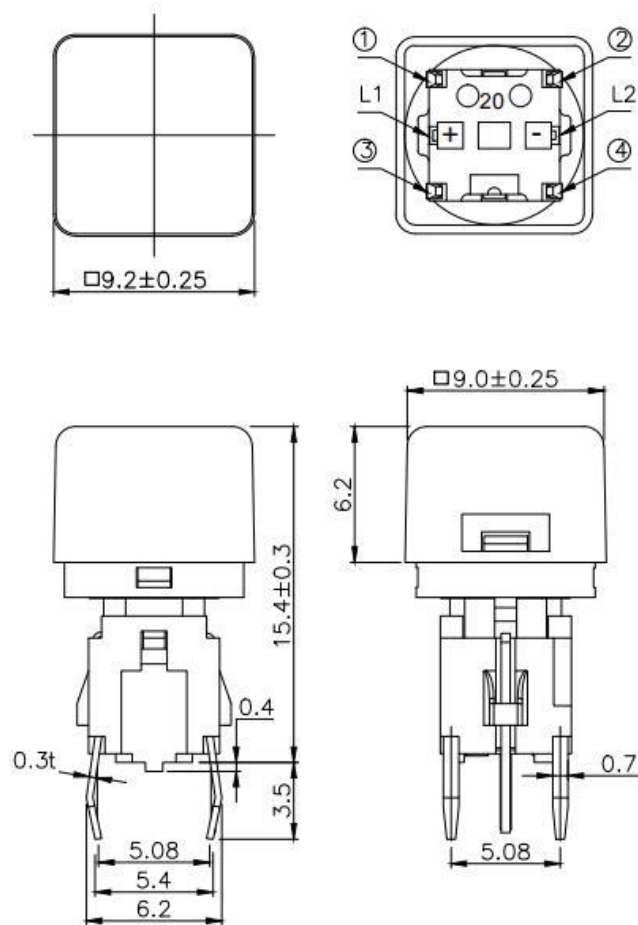
**TS10-0000U**



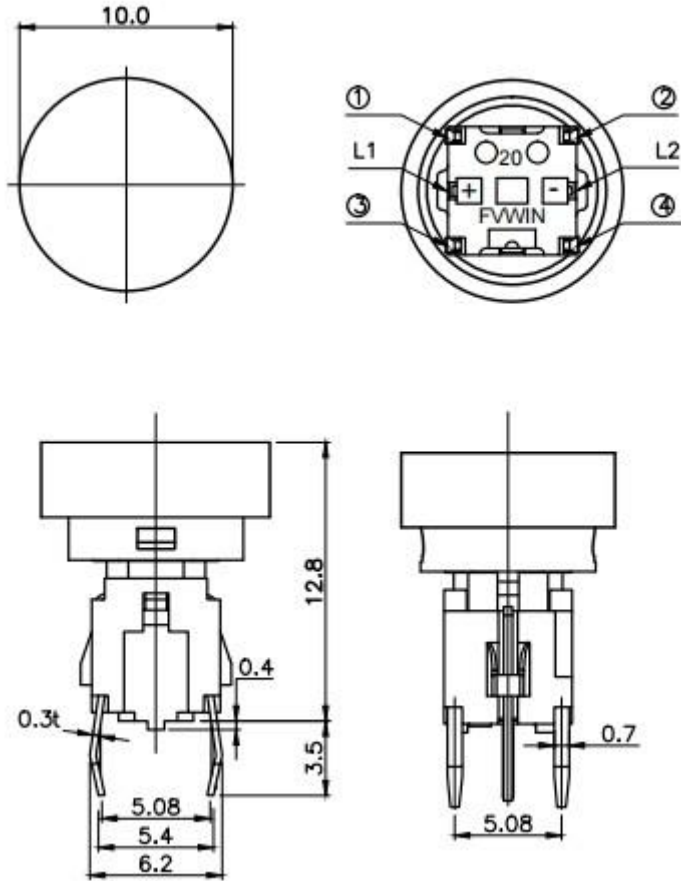
**TS10-0061WR**



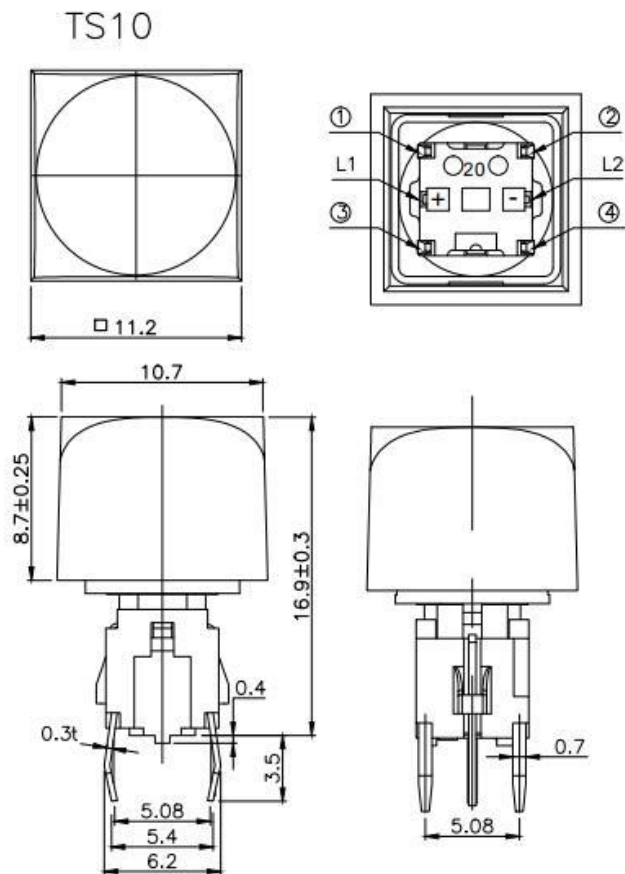
**TS10-00FWR**



**TS10-0011WU**



**TS10-00FW17WU**



# TS10-0013BXX

