

► Features

- Momentary action function
- PCB mount
- Various button color options
- Gold plated ensure high reliability

► Applications

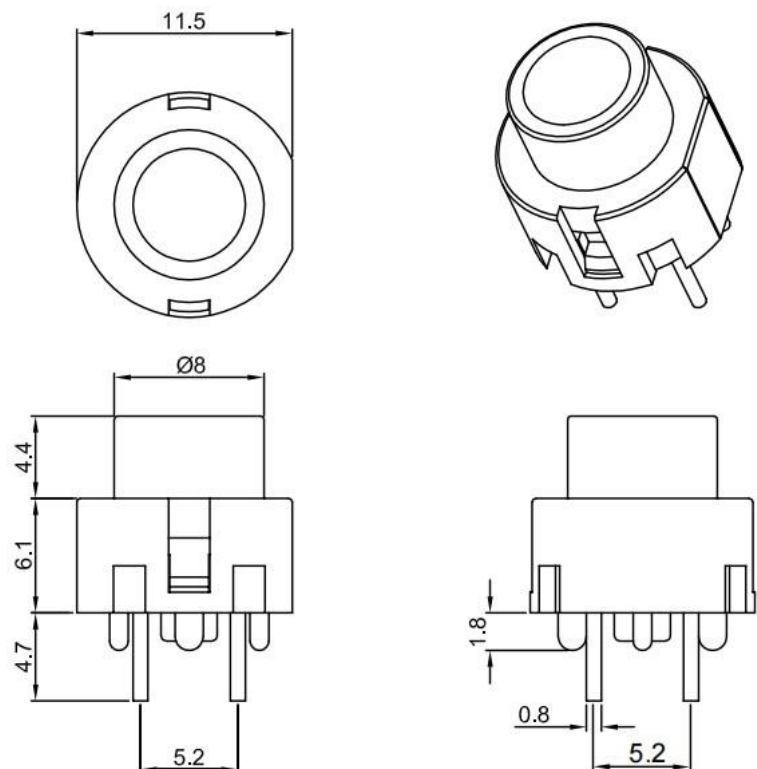
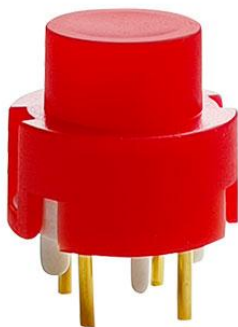
Used widely to keyboard controller, security device, consumer electronics and auto industries.

► Specification

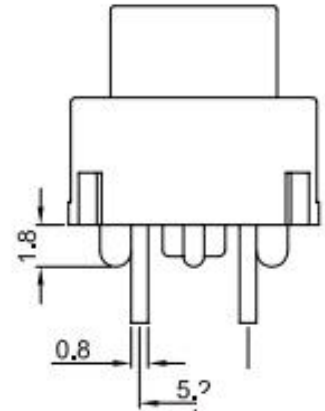
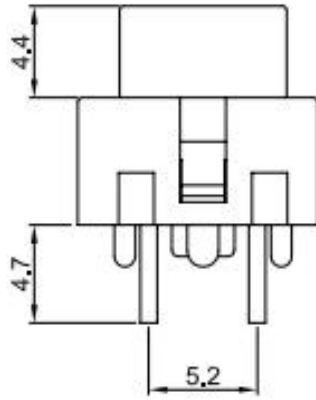
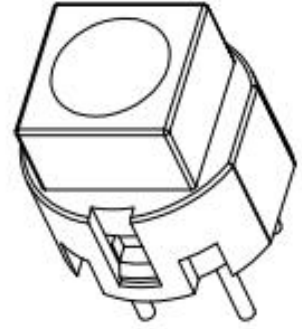
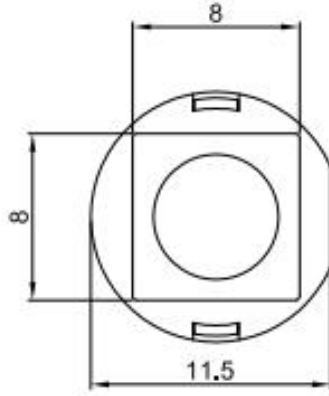
MPN	TS4 series
Power Rating	30mA 30VDC
Insulation Resistance	100MΩ
Dielectric Strength	250VAC for 1-minute
Operating Force	200gf
Total Travel	0.7+/-0.2mm
Circuit	SPST

► Dimension

TS4-2R



TS4-1A



TS4

TS4-3B

