

### ► Features

- Illuminated LED integrated
- Various single and bi-color LED optional
- Custom legends is available
- Ideal solution for broadcast system control panel



### ► Applications

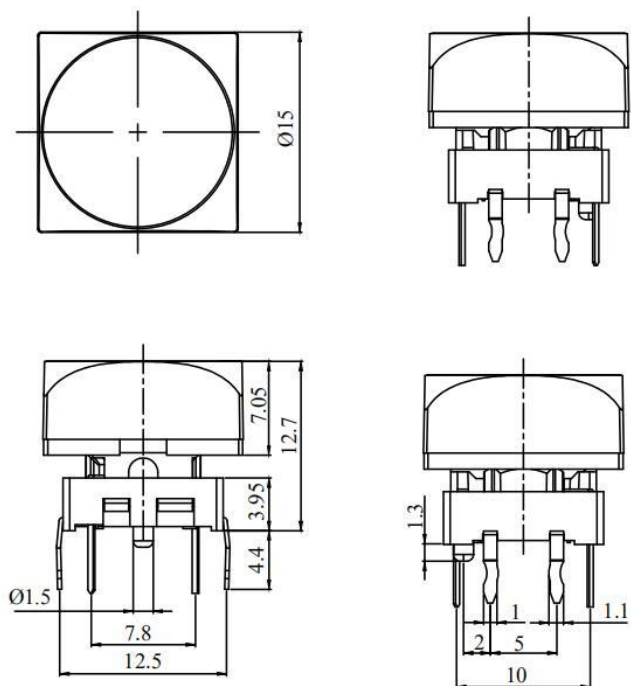
Panel control that requires tactile switch with illumination integrated.  
Typical for applications in pro audio&visual, industrial, medical, security device, communication

### ► Specification

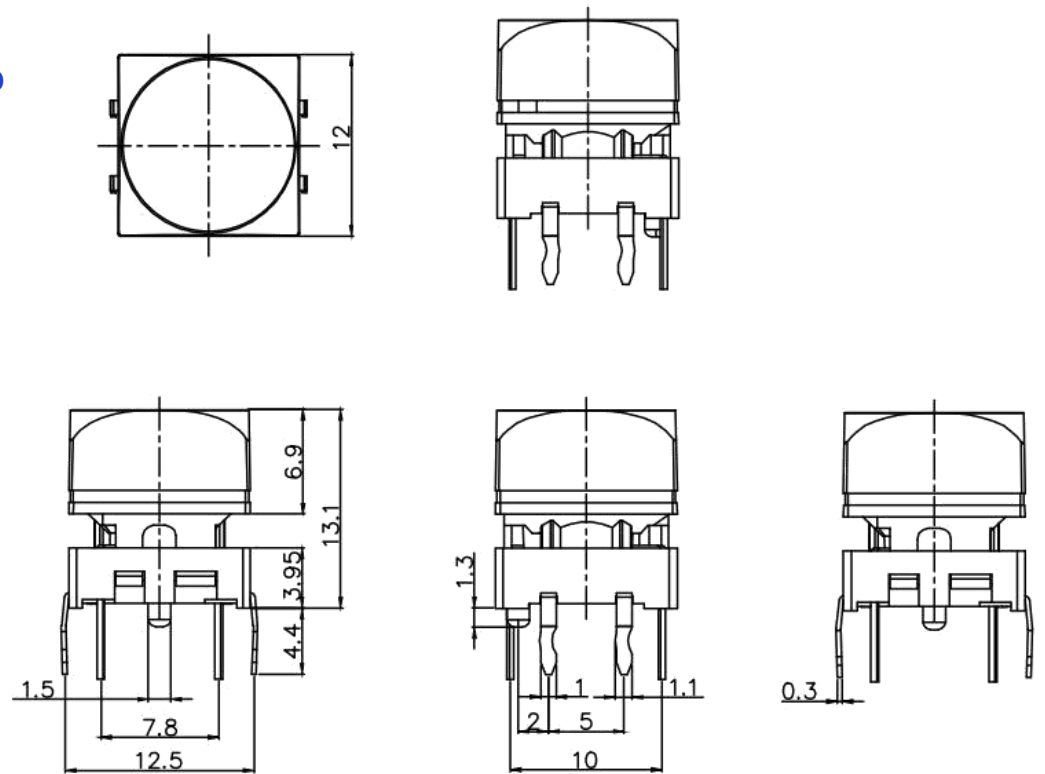
MPN	TS15 series
Power Rating	12 VDC at 50mA
Insulation Resistance	100MΩ
Dielectrical Strength	250VAC for 1-minute
Operating Force	250gf
Travel	0.4+/-0.15mm
Function	Momentary

### ► Dimension

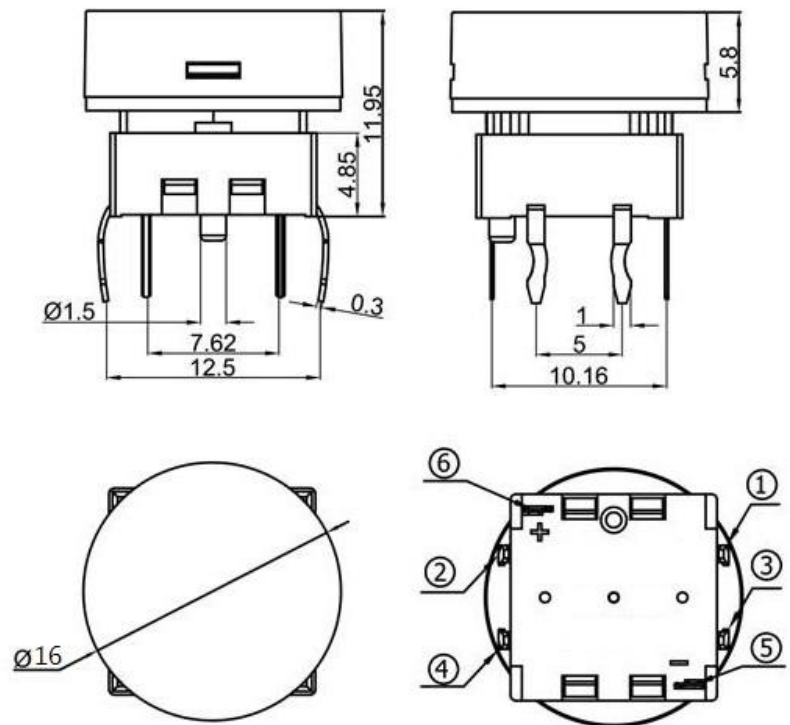
**TS15-9W56TWX-MENU**



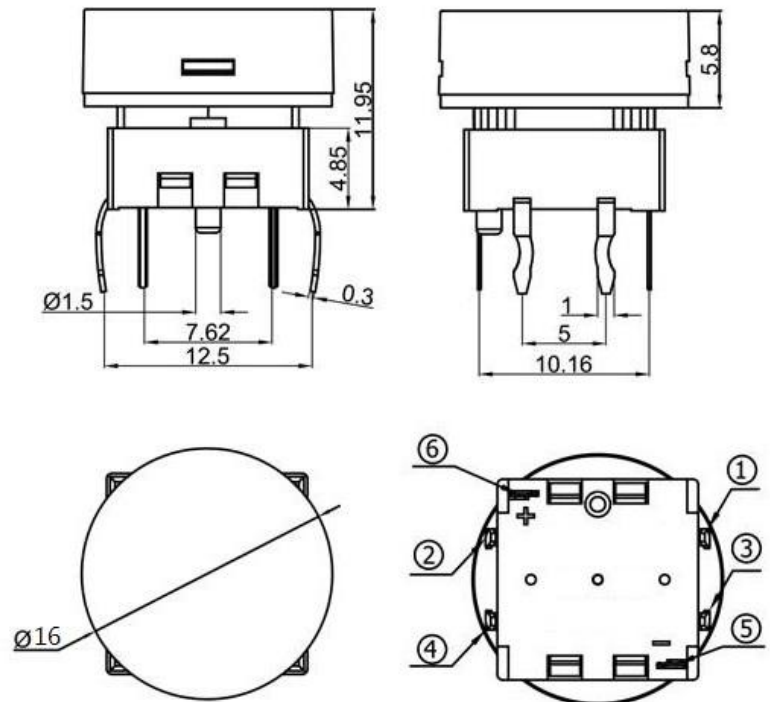
**TS15-10W57WY-SOLO**



**TS15-12W58WTG1**



**TS15-12W58WBR6**



**TS15-10W63WTR-AUTO**

