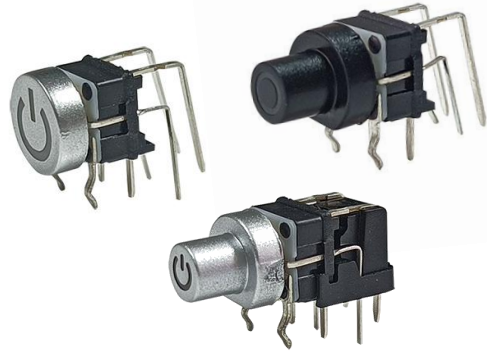


### ► Features

- Snap-in type, can be directly mounted on PCB
- Through-in and right angle terminal
- 500,000 long-life cycles
- Various single and bi-color LED optional
- Custom legends is available



### ► Applications

Panel control that requires tactile switch with illumination integrated.

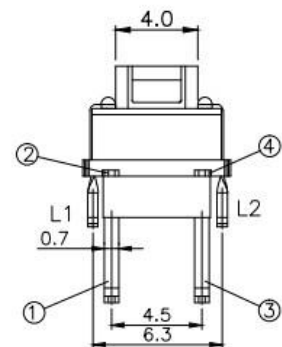
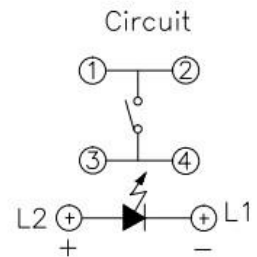
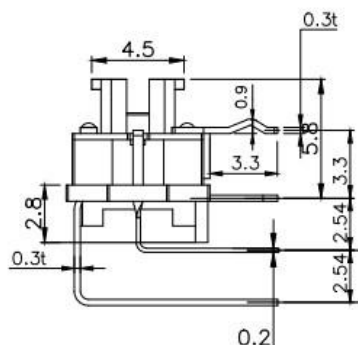
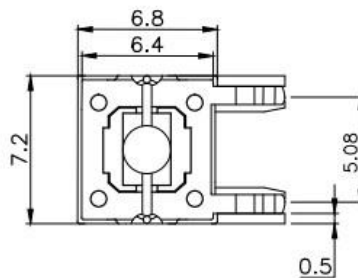
Typical for applications in pro audio&video, industrial, medical, security device, communication

### ► Specification

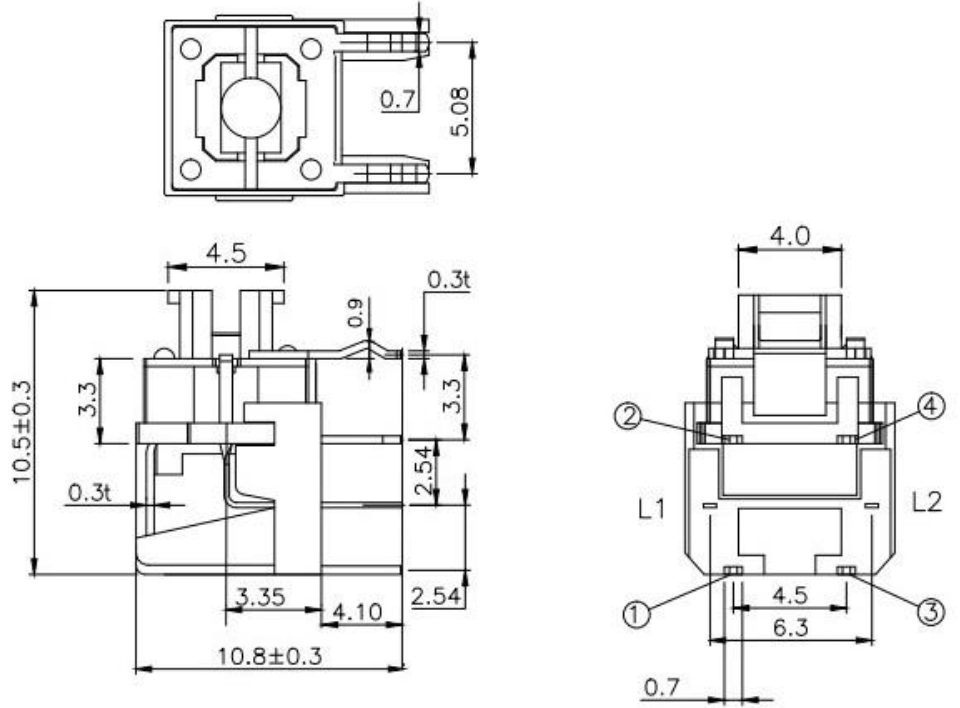
MPN	TS17 series
Power Rating	12 VDC at 50mA
Insulation Resistance	100MΩ
Dielectrical Strength	250VAC for 1-minute
Operating Force	160gf/250gf
Travel	0.25+/-0.1mm
Function	Momentary

### ► Dimension

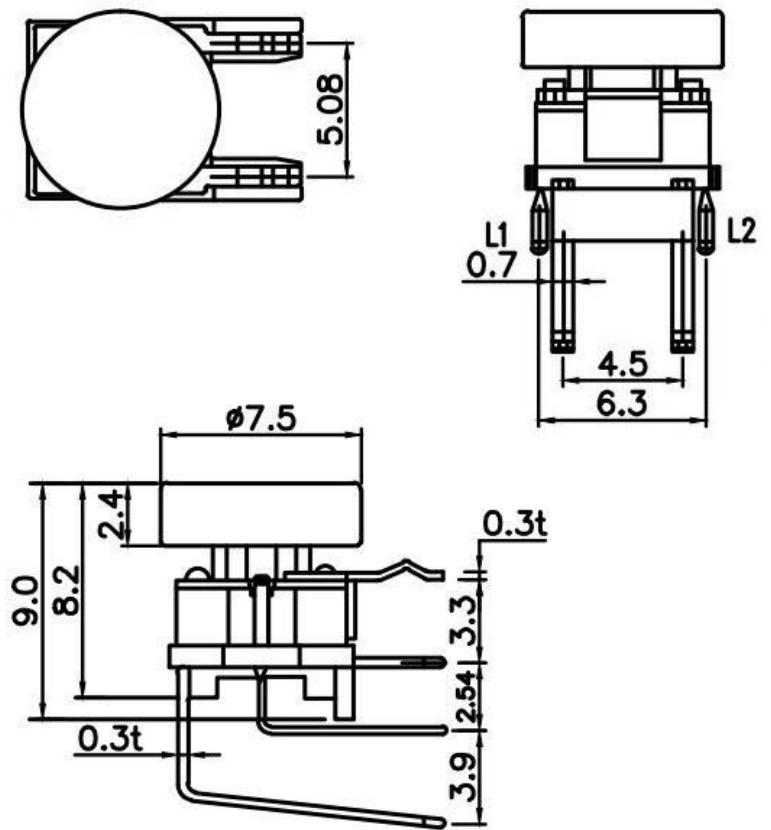
#### TS17-0000W



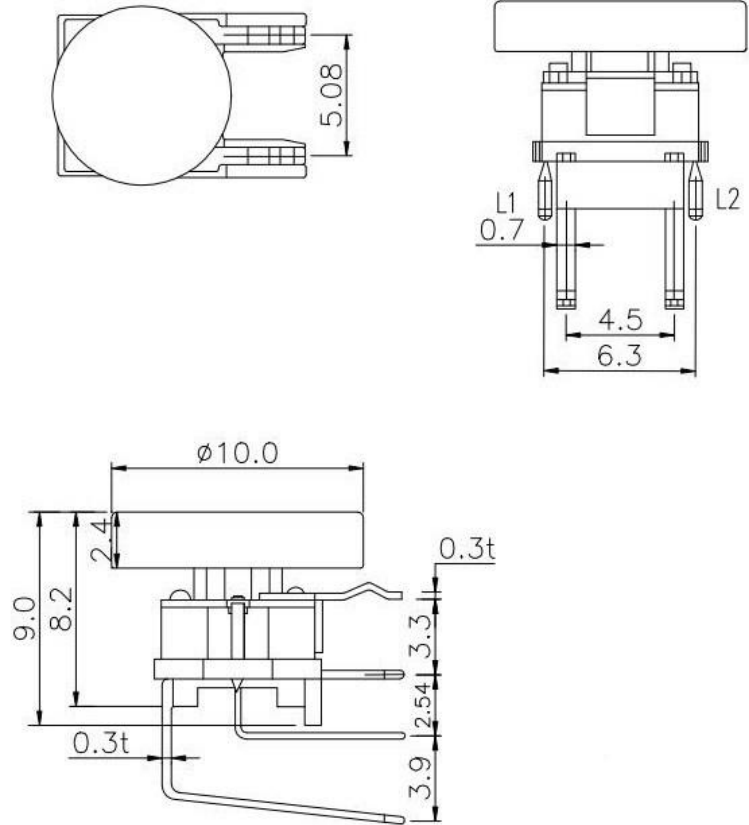
**TS17-8B00W**



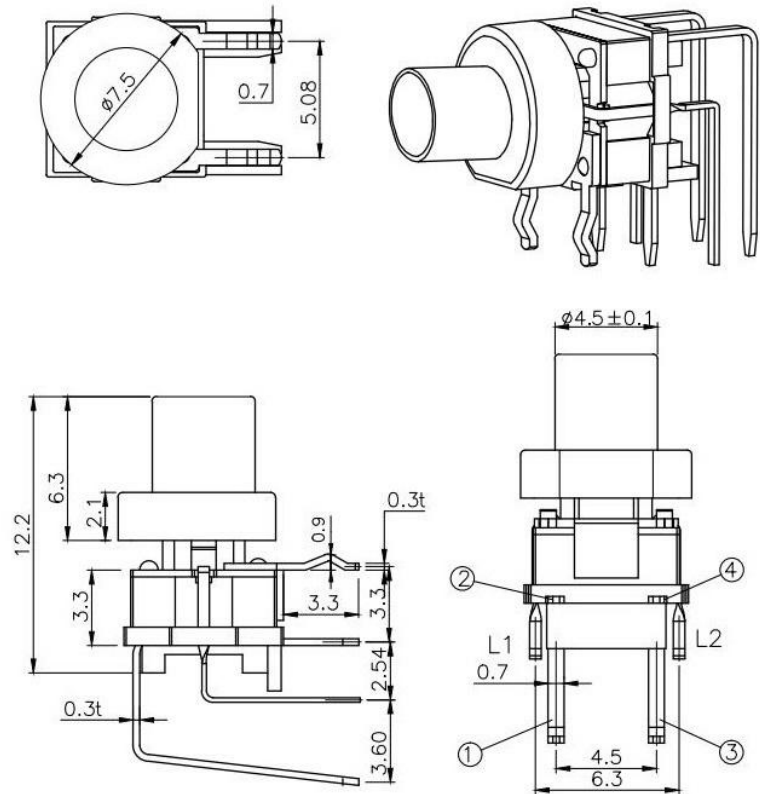
**TS17-0023BW1**



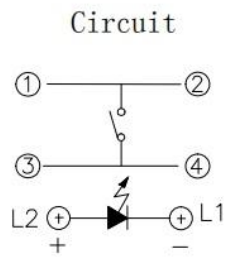
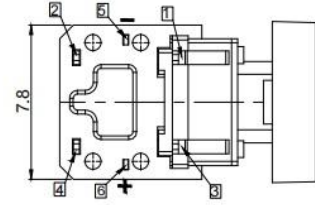
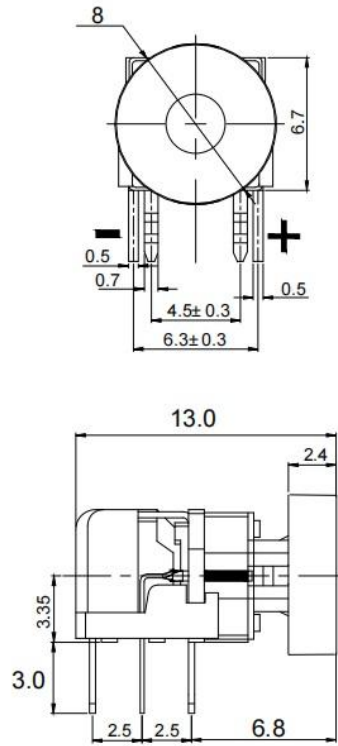
**TS17-0021BW1**



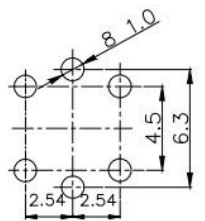
**TS17-00EWR**



### TS17-8B53BW



P. C. B Layout



### TS17-8BEAR1

